

Model 660



WARNING



Failure to comply with any of the instructions may result in serious personal injury.

Failure to comply may also result in property damage.

Please heed all warnings and cautions to ensure your safety.

Do not attempt to assemble this system without carefully reading and following all instructions.

Begin by identifying and taking inventory of all parts using the parts list provided.



Airtime Hoops Ltd

14 Esther Place, Red Beach,
Auckland 0932, New Zealand
p 09 426 2255 | m 027 280 8689
e michael@airtimehoops.co.nz
w www.airtimehoops.co.nz

Keep this instruction manual in case you have to contact the manufacturer for replacement parts.

TOOLS AND MATERIALS REQUIRED FOR ASSEMBLY
(Not Included)

- | | |
|--------------------------|---|
| 1. 2 Adjustable Wrenches | 10. Concrete-1/2 yard or 14-16
Bags, (80 lb. bags) |
| 2. Socket Set | 11. Phillips Head Screwdriver |
| 3. 9/16" Wrench | 12. Electric Drill |
| 4. 3/4" Wrench | 13. Carpenter's Level |
| 5. 15/16" Wrench | 14. A minimum of 2 Ladders |
| 6. 1/2" Wrench | 15. Water Supply |
| 7. Hammer or Mallet | 16. Degreaser |
| 8. Tape Measure | 17. 1/4" Drill Bit |
| 9. Shovel | |

****A MINIMUM OF THREE ADULTS ARE
REQUIRED TO LIFT UNIT INTO PLACE****

STOP!

BEFORE YOU START

STOP!

- A. Identify and inventory all parts using the checklist boxes in the parts list. Be sure to keep the hardware bags and their contents separate. If any parts are missing call our Customer Service Department **09 426 2255**
- B. Test fit all Bolts by inserting them into the respective hole. If necessary, carefully scrape away any excess powder coating buildup from inside the holes. Do not scrape away all of the powder coating. Bare metal may rust.



SAFETY INSTRUCTIONS

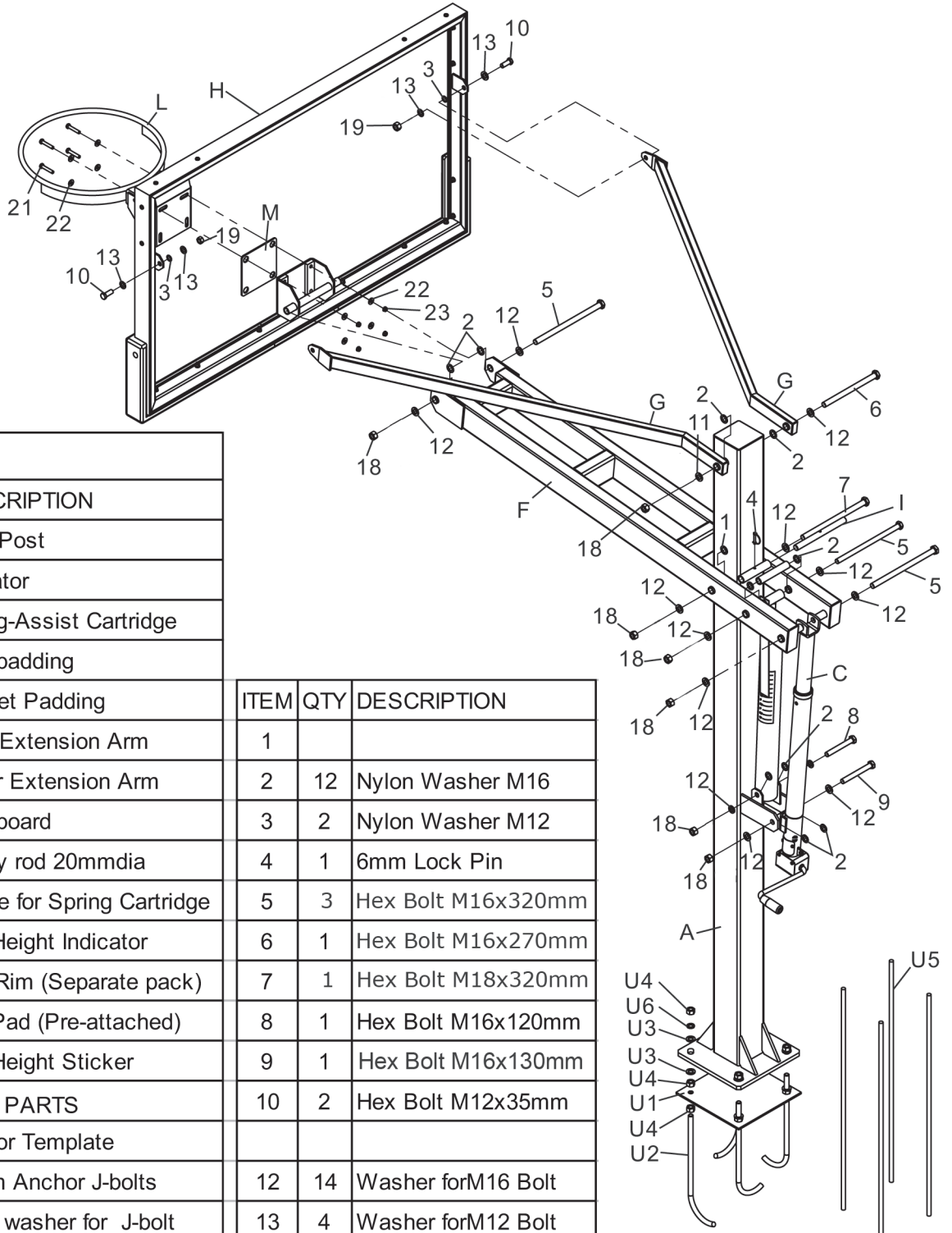


FAILURE TO FOLLOW THESE SAFETY INSTRUCTIONS MAY RESULT IN SERIOUS INJURY OR PROPERTY DAMAGE AND WILL VOID THE WARRANTY. The owner must ensure that all players know and follow these rules to safely operate the system. Proper and complete assembly, use and supervision is essential for proper operation and to reduce the risk of accident or injury. A high probability of serious injury exists if this system is not installed, maintained, or operated properly.

- If using a ladder during assembly, use extreme caution. Follow all warnings and cautions on the ladder carefully.
- A minimum of three people are required to lift the unit into place.
- Before digging, contact the appropriate agency to locate underground power cables, gas, and water lines. Do not install the system within 20 feet of overhead power lines.
- Climate, corrosion, or misuse could result in system failure.
- If technical assistance is required, contact the manufacturer.
- Minimum operational height is 7'6" to the Rim. Most injuries are caused by misuse and /or failure to follow instructions. Use caution when using the system.

PARTS LIST

Verify all parts listed on packaging list are present prior to installation. Contact our customer service at 09 426 2255 for assistance with replacement of any parts missing or damaged.

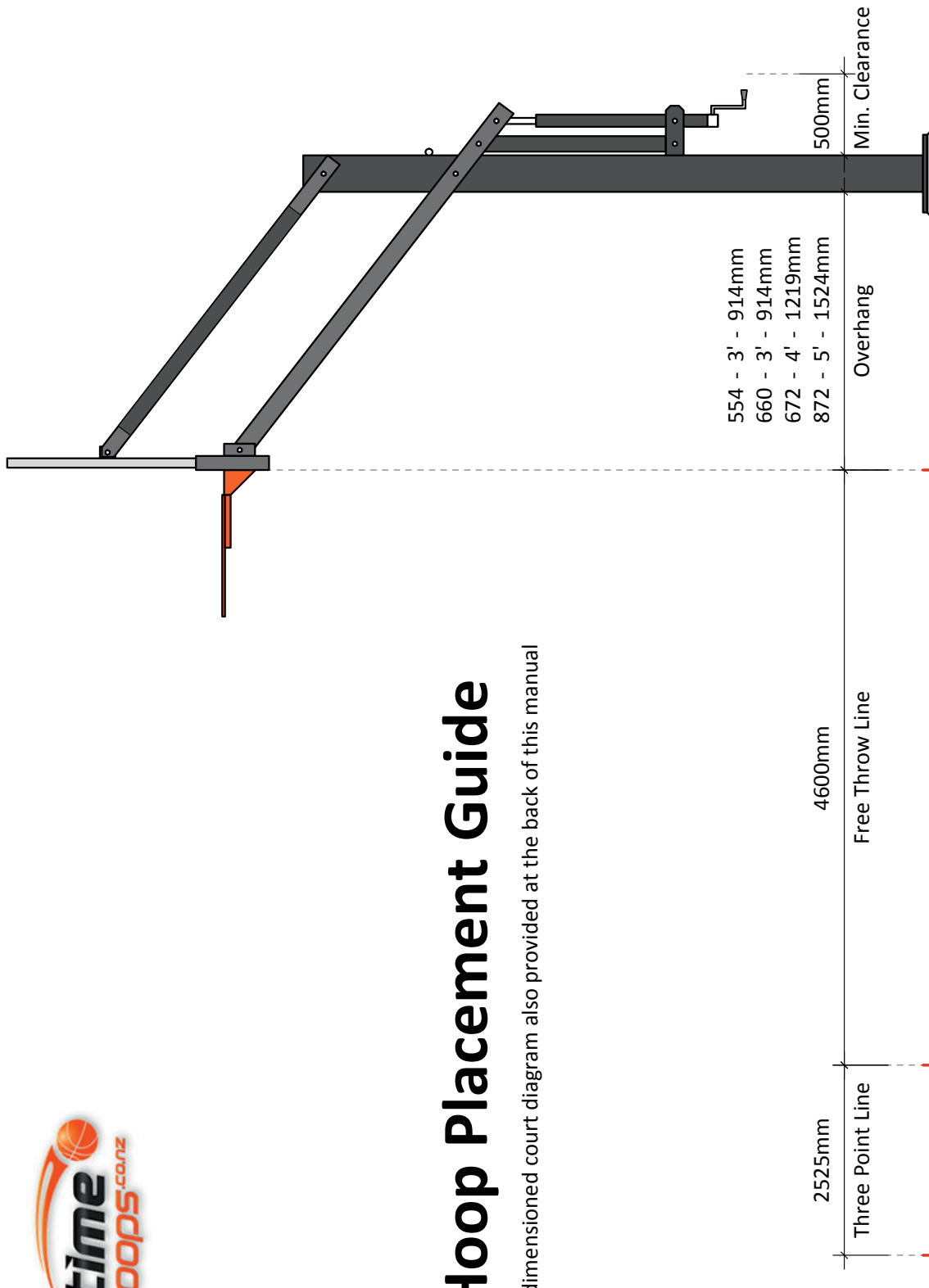


PARTS LIST					
ITEM	QTY	DESCRIPTION	ITEM	QTY	DESCRIPTION
A	1	Main Post			
B	1	Actuator			
C	1	Spring-Assist Cartridge			
D	1	Pole padding			
E	1	Gusset Padding			
F	1	Main Extension Arm	1		
G	2	Upper Extension Arm	2	12	Nylon Washer M16
H	1	Backboard	3	2	Nylon Washer M12
I	1	Safety rod 20mmdia	4	1	6mm Lock Pin
J	1	Sleeve for Spring Cartridge	5	3	Hex Bolt M16x320mm
K	1	Rim Height Indicator	6	1	Hex Bolt M16x270mm
L	1	Flex Rim (Separate pack)	7	1	Hex Bolt M18x320mm
M	1	Rim Pad (Pre-attached)	8	1	Hex Bolt M16x120mm
N	1	Rim Height Sticker	9	1	Hex Bolt M16x130mm
UNDERGROUND PARTS			10	2	Hex Bolt M12x35mm
U1	1	Anchor Template			
U2	4	16mm Anchor J-bolts	12	14	Washer for M16 Bolt
U3	8	Thick washer for J-bolt	13	4	Washer for M12 Bolt
U4	12	Hex nut M16			
U5	4	Anchor Rebar 36"L			
U6	4	Lock Washer M16			
RIM HARDWARE					
21	4	Hex bolt M8x65 mm	18	7	Hex Nut M16
22	8	Washer M10	19	2	Hex Nut M12
23	4	Flange nut M10			



Hoop Placement Guide

Fully dimensioned court diagram also provided at the back of this manual



NOTE: Before digging, call to locate any buried utility lines.

NOTE: At rim height 10', distance from the face of backboard to the front of Main Post(A) is 3', Choose the proper location to dig for the concrete footing:

STEP A

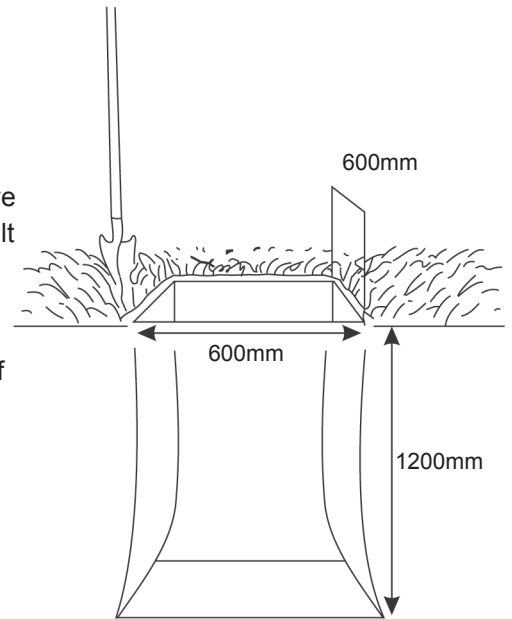
- a. Dig a hole 1200mm deep and 600mm x 600mm square. The edge of the hole should be flush with the edge of the playing surface. If you live in an area where heavy frost can occur, it may pose a problem, consult your local building inspector to determine the appropriate hole depth.

NOTE: The hole must be at least 1200mm deep.

- b. Build a form before pouring the concrete pad, to ensure that the top of the concrete remains straight and square. The form should be placed about 12mm above the playing surface to allow for water drainage.
- c. Bell out the bottom of the hole.

NOTE: A square hole prevents the rotation of the concrete.

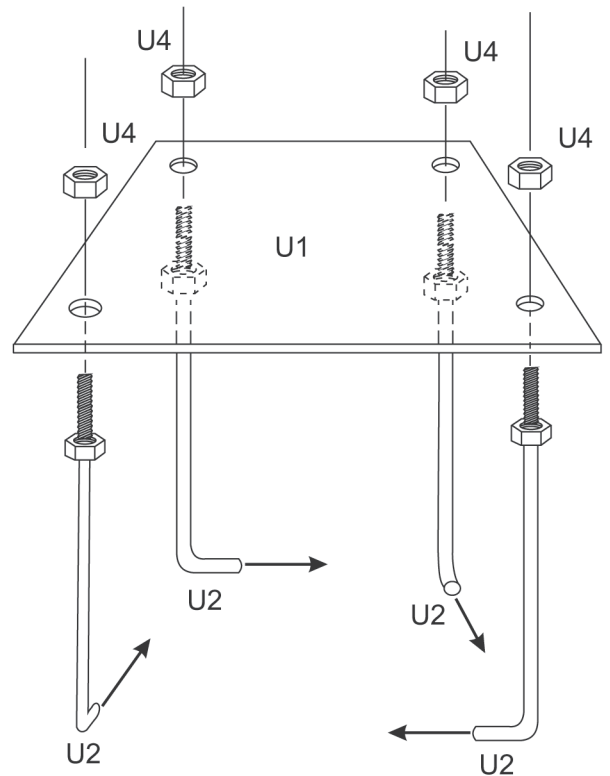
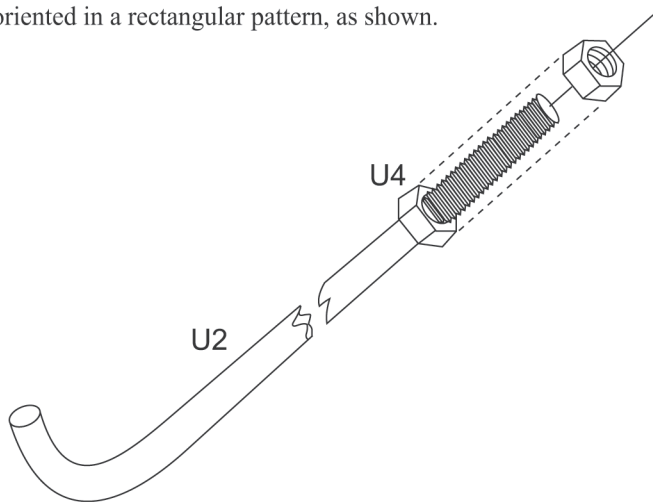
NOTE: The area behind the playing surface must be cleared off by at least 900mm to enable the user to stand behind the pole to adjust the Rim height.



STEP B

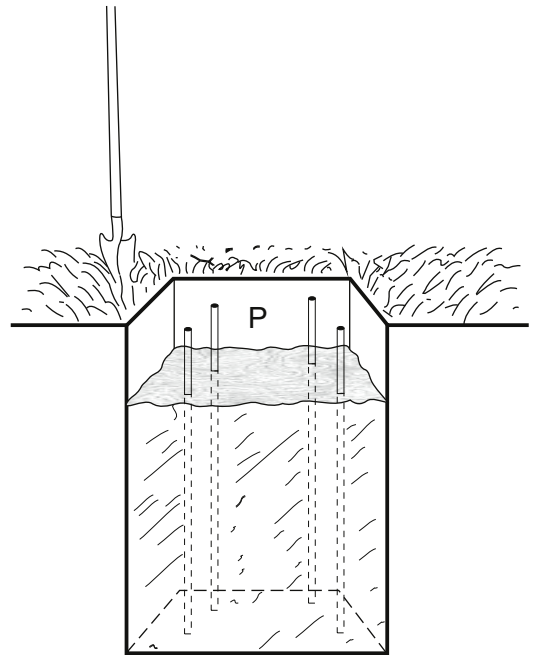
- A. Thread a 16mm Hex Nut (U4) onto each of the 16mm J-Bolts (U2). Securely tighten the Nuts all the way down to the end of the threads.
- B. Slide the threaded end of the J-Bolts through the holes in the Anchor Template (U1) and secure each J-Bolt with a 16mm J-Bolt Hex Nuts (U4) as shown. Securely tighten all Nuts at this time.

NOTE: Make sure the curved “J” ends of the J-Bolts are oriented in a rectangular pattern, as shown.



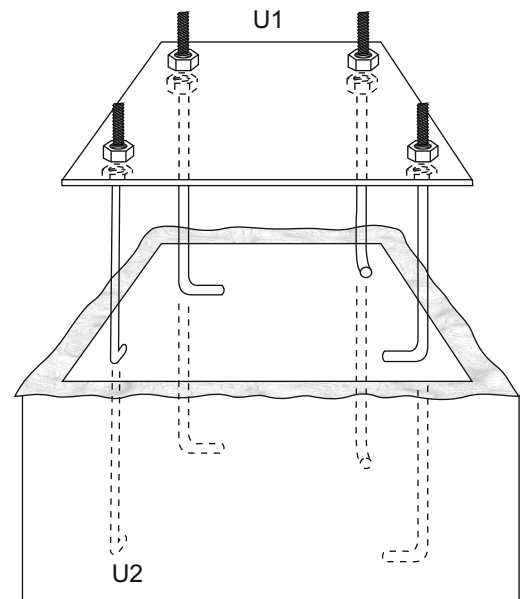
STEP C

- Mix the concrete according to the instructions on the bags. Note that a thicker mix of concrete will dry stronger than a thin mix. Pour the concrete into the hole, stopping approximately 18 inches from the top of the hole.
- Insert the four pieces of Anchor Rebar (U5) into the hole, pushing each piece firmly to the bottom of the hole. The four pieces should be arranged in a square approximately 8 inches wide so that each piece of rebar will be positioned next to the J-Bolts when the J-Bolt Template is placed in the cement.
- Finish filling the hole to the top with concrete. The top of the concrete should reach just above the level of the top of the form.



STEP D

- Position the J-Bolt Template (U1) over the hole so that it is centered, with the sides of the plate square with the sides of the hole.
- Push the J-Bolts (U2) into the concrete until the J-Bolt Template is resting flat against the surface of the concrete.
- Grasp the tops of the J-Bolts and agitate the Template assembly back and forth repeatedly to eliminate any air bubbles in the concrete. Lift the Template slightly above the concrete when agitating. Make sure the Template is resting on the concrete after agitating. Form the concrete into a downward slope away from the Pole to allow water runoff.**
- Clean off any concrete that may be on the J-Bolt Template or the exposed portions of the J-Bolts.
- Using a carpenter's level, make sure the Template is square to and level with the playing surface.
- Allow the concrete to cure for a minimum of 7 days before installing the rest of your basketball system. In cold, wet weather or humid climates, allow additional time for the concrete to cure.



YOU ARE NOW FINISHED WITH THE INITIAL ASSEMBLY STEPS. DO NOT PROCEED WITH THE FINAL ASSEMBLY UNTIL THE CONCRETE HAS FULLY CURED. THE CONCRETE REACHES FULL STRENGTH AT 28 DAYS. WE RECOMMEND ALLOWING AT LEAST 7 DAYS BEFORE COMMENCING WITH THE FINAL ASSEMBLY STEPS.



WARNING



NEVER USE THE SYSTEM WITHOUT FOLLOWING THE CEMENTING INSTRUCTIONS. FAILURE TO FOLLOW ALL OF THESE INSTRUCTIONS AND WARNINGS COULD LEAD TO SERIOUS PERSONAL INJURY OR PROPERTY DAMAGE AS LISTED ON PAGE ONE.



WARNING



BECAUSE OF THE SIZE AND WEIGHT OF THE SYSTEM, A MINIMUM OF THREE ADULTS ARE REQUIRED FOR THE FOLLOWING STEPS

Tightening of the stainless steel nuts onto the bolts can be sensitive and sometimes start to bind. If this happens, stop immediately. Loosen the nut, apply some grease to the bolt thread and wind the nut back on as slowly as possible.

STEP 1

- Slide a 16mm Thick Washer (U3) over each of the J-Bolts (U2) as shown in FIGURE 1A.
- Remove the Padding from Main Post (A). Place the Main Post (A) over the J-Bolts. Slide a 16mm Thick Washer (U3), a Lock washer 16mm (U6) and thread a 16mm Hex Nut (U4) to each J-bolt. Tighten the Nuts only a few turns onto the J-Bolts as shown in FIGURE 1B.
- If the Main Post (A) is not exactly vertical, adjust the 16mm J-Bolt Hex Nuts (U4) located under the Post base. Tighten all of the Hex Nuts (U4) Above Post base when Main Post (A) is vertical.

NOTE: Face the Main Post (A) with Actuator Bracket facing away from playing court (as shown in FIGURE 1C).

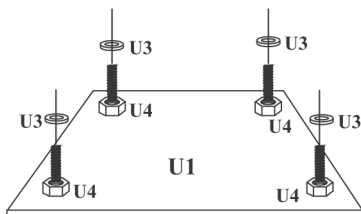


FIGURE 1A

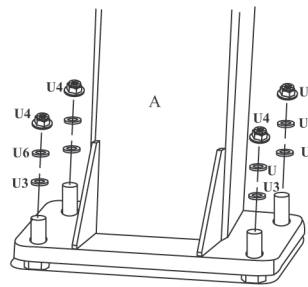


FIGURE 1B

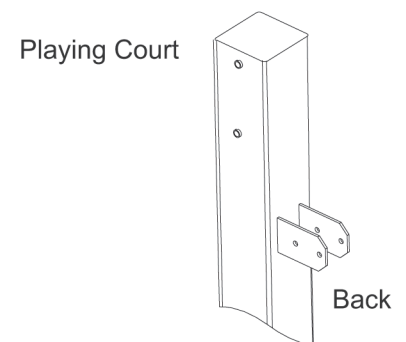


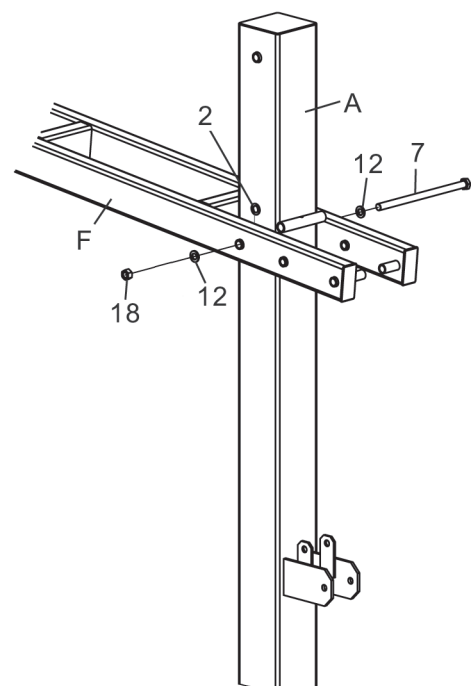
FIGURE 1C

STEP 2

- Slide the Main Extension Arm (F), over the top of the Main Post (A) and attach to the lower pivot tube with a M16x295mm Hex Bolt (#7), two M16 Flat Washers (#12), two Nylon Washers M16 (#2) and a M16 Hex Nut (#18).

Do not over tighten this bolt and nut

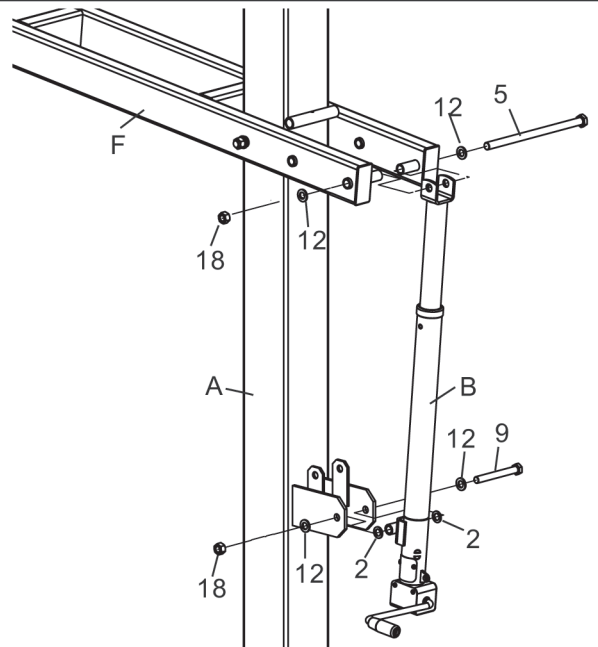
Note: Make sure the Nylon Washers locate between Main Extension Arm (F) and Main Post (A)



STEP 3

- A. Slide the Actuator(B) to the last set of welded tubes on the Main Extension Arm (F), Using a Hex bolt M16X295MM (#5), two M16 Flat Washers(#12), and a Hex Nut M16(#18) at the top. And using a Hex Bolt M16x135mm (#9), two Washers for M16 Bolt (#12), two Nylon washers (#2), and one Hex nut for M16 bolt (#18) on bottom to tighten the Actuator.

Note: Make sure the Nylon Washers go between Actuator and Mounting Bracket.



STEP 4

- A. Slide Steel Sleeve (J) thru the tube welded at the top end of Spring- Assist Cartridge (C) Slide the Plastic rim Height Indicator (K) over Steel sleeve, leave it beside the Spring-Assist Cartridge (C). Place the top of Spring-Assist between Main extension (F), align the Steel Sleeve (J) with the second set of welded tubes on the Main Extension Arm (F), Slide one Washer M16 (#12) over one Hex Bolt M16x295mm (#7), and slide this Bolt all the way thru Main Extension Arm (F), one Nylon washer M16 (#2), and the other side of Main Extension Arm (F). Secure it with one Flat Washer M16 (#12) and One Hex nut M16 (#18).

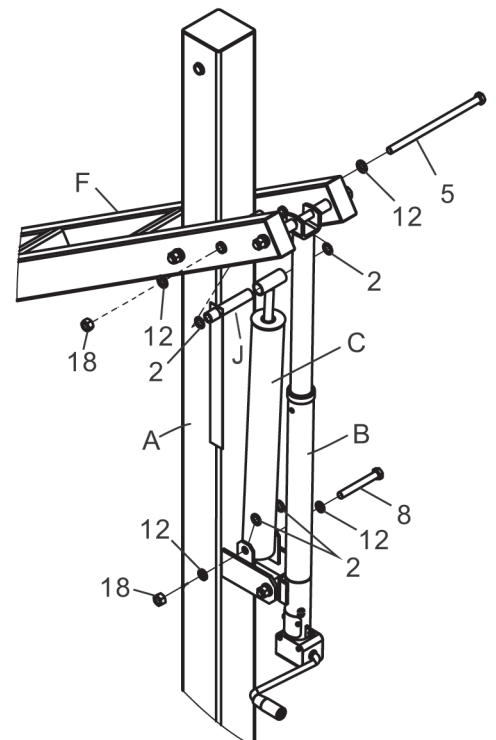
Do not over tighten this bolt because this is the pivot point. Make sure the Plastic rim Height Indicator (K) hangs freely along side of Spring-Assist Cartridge.

Note: Nylon washer locates between Steel sleeves (J) and Main Extension\Arm (F).

- B. Attach the bottom of Spring-assist Cartridge (C) to the Main pole Bracket by using a Hex Bolt M16x120mm (#8), two Flat Washers M16 (#12), two Nylon Washers M16 (#2) and a Hex Nut M16 (#18).

Note: Nylon washer goes between Bracket and Cartridge (C).

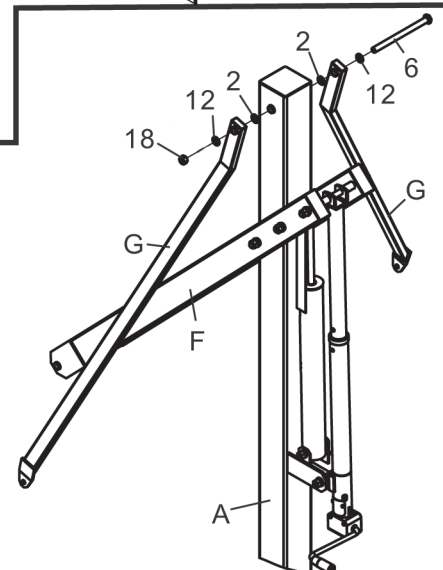
- C. Remove and discard the spreader from the top of the Spring-Assist Cartridge (C).



STEP 5

- A. Attach the 2 Upper Extension Arms (G) to Main Post (A) with a Hex Bolt M16x245mm (#6), two Flat Washers M16 (#12), two Nylon Washers (#2) and one Hex Nut M16 (#18).

Do not tighten at this time.



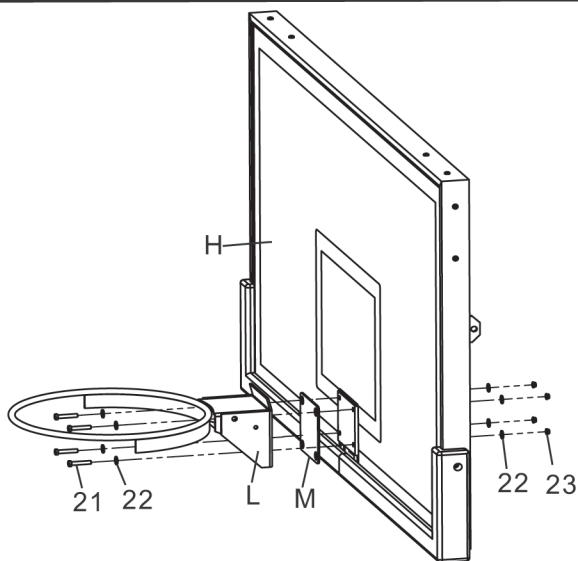
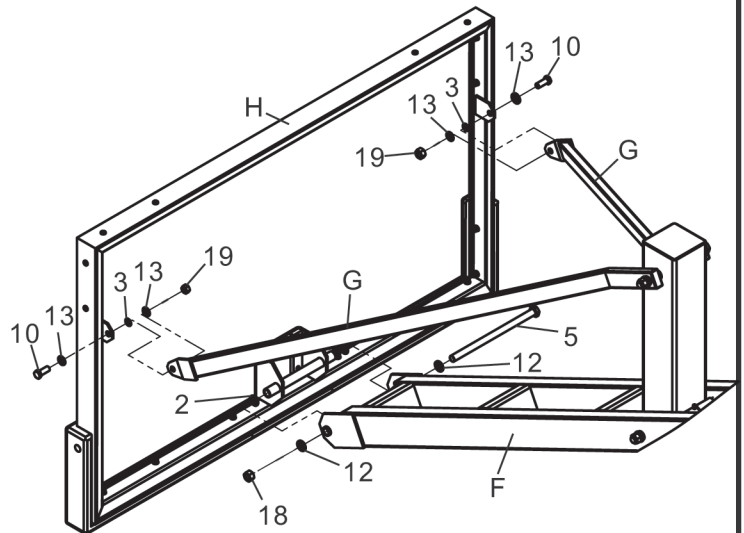
STEP 6

- A. Attach the Backboard to Main Extension Arm (F) by using a Hex Bolt M16x305mm (#5), two M16 Flat Washers (#12), two Nylon Washers (#2) and one Hex Nut M16 (#18)

Note: Nylon Washers go between Main extension arm Bracket (F) and Backboard mounting bracket

- B. Connect Upper Extension Arms (G) to the side of Backboard (H), using two Hex Bolts M12x35mm (#10), four Flat Washers M12 (#13), two Nylon Washers M12 (#3) and two Hex Nuts (#19).

Note: Put Nylon Washers between Backboard Plate and Upper Extension Connecting Plate.



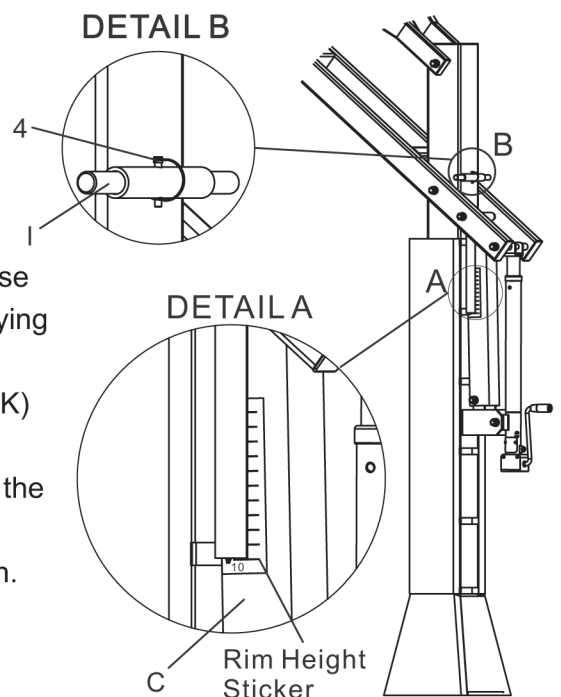
STEP 7

- A. Remove the screws on Rim spring box cover, open the Spring box.
 B. Mount the rim to the Mounting bracket on Backboard(H) using the hardware supplied in rim box.
 C. Re-attach Spring box cover to the Rim with removed screws.

NOTE: Use a level to make sure rim is level side to side before tightening nuts.

STEP 8

- A. After everything is square, make sure all nuts on the system have been tightened.
NOTE: But do not over tighten the Nuts, make sure the unit can be adjusted up and down.
- B. To apply the Rim Height Sticker(In the manual pack), first use a tape measure to crank rim up to exactly 10' from the playing surface. Use a pencil to make a mark on the Spring-assist Cartridge(C) where the bottom of the Rim Height Indicator(K) stops. Then, peel and apply Rim Height Sticker to outside of Spring-assist Cartridge(C) lining up the pencil mark with the 10' mark on the Rim Height Sticker. See detail A.
- C. Attach Post Pad and Gusset Pad to Main Post(A) as shown.
- D. Slide Safety Rod (I) thru the tube welded on the backside of Main Post (A), align the holes each other and secure it with one Lock Pin 6mm (#4). See detail B.



NOTE: Trying to lower the rim beyond the height limitation with the Safety Rod (I) in place, will result in damaging the top surface of the main extension arm (F).

Warranty

This warranty applies to the original retail purchaser only.

The warranty covers these products to be 'free from defects in material & workmanship which impair the use of the product', from the date of purchase, for a period of;

5yrs – Pole, extension arms, lift assist cartridge, actuator, backboard.

3yrs – Pole padding, Rim.

Subject to proper installation in accordance with the installation instructions, normal residential use for glass backboards, normal basketball activities, and has been maintained in agreement with the instructions.

Warranty Claims:

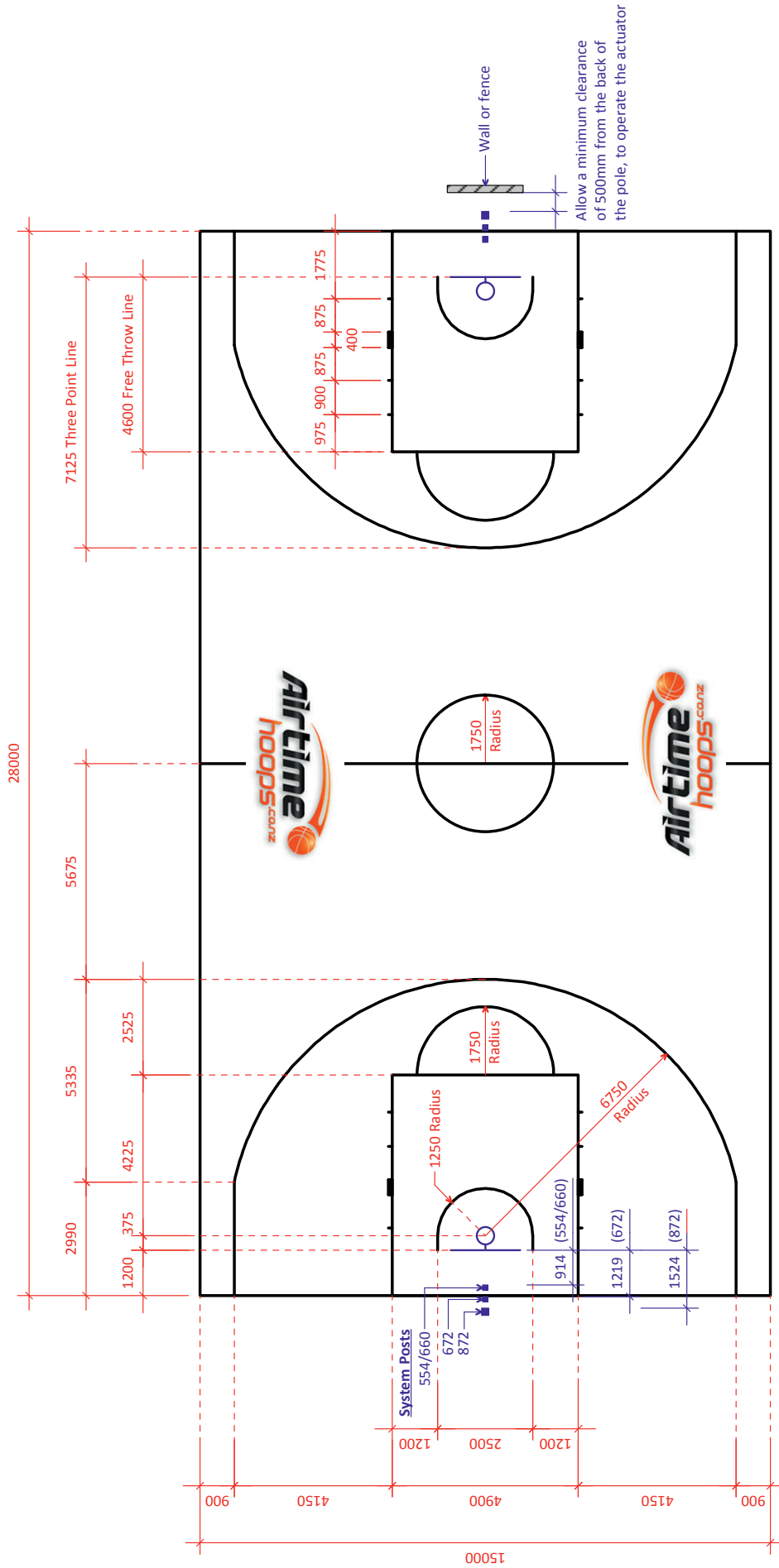
- Proof of purchase by the original retail purchaser is required for all warranty claims.
- Airtime Hoops Limited reserves the right to examine physical evidence or photographs of the product or component parts, claimed to be defective, and to recover said product, prior to authorizing a warranty claim.
- If deemed necessary for replacement or repair, the damaged product must be returned, it is the original retail purchaser's responsibility to prepay all freight, insurance and delivery costs, insure the product or components are shipped in the original cartons or similar packaging affording an equal degree of protection. Airtime Hoops Limited will not be responsible for any loss or damage incurred in connection with the return of this product or component parts.

This warranty is not transferable and does not cover the following;

- Deterioration, scratching or scuffing of the products which may occur during normal usage.
- Damage caused by shipping.
- Damage due to "Acts of God" such as, but not limited to, flooding, tornados, hail, lightening, windstorms or earthquakes.
- Damage due to "Environmental Factors" such as, but not limited to, ocean spray, chemicals or wind borne sand.
- Improper handling, unreasonable use, negligence, misuse, abuse or modification from its original state, accident, vandalism, or fire.
- Installation (If not installed by Airtime Hoops Limited).
- Paint, rusting, surface scratches, fading or cracks which do not affect the functionality of the product.
- Shipping charges for warranted or replacement items. This must be paid by the original retail purchaser in advance.
- Dealer service charges, labour charges, or travel expenses. All labour costs, travel expenses, and other charges involved in the installation, inspection, service, or replacement of the product, or replacement of component parts shall be the original retail purchaser's responsibility.

For the original retail purchaser to submit a claim, write to;

Airtime Hoops Limited
14 Esther Place, Red Beach, Auckland 0932
michael@airtimehoops.conz



Regulation FIBA Basketball Court

System Overhangs - Front face of the pole, to the front face of the Backboard

- Airtime 554 - 3' or 914mm
- Airtime 660 - 3' or 914mm
- Airtime 672 - 4' or 1219mm
- Airtime 872 - 5' or 1524mm

Scale 1:150 @ A4