



ASSEMBLY INSTRUCTIONS AND OWNER'S MANUAL

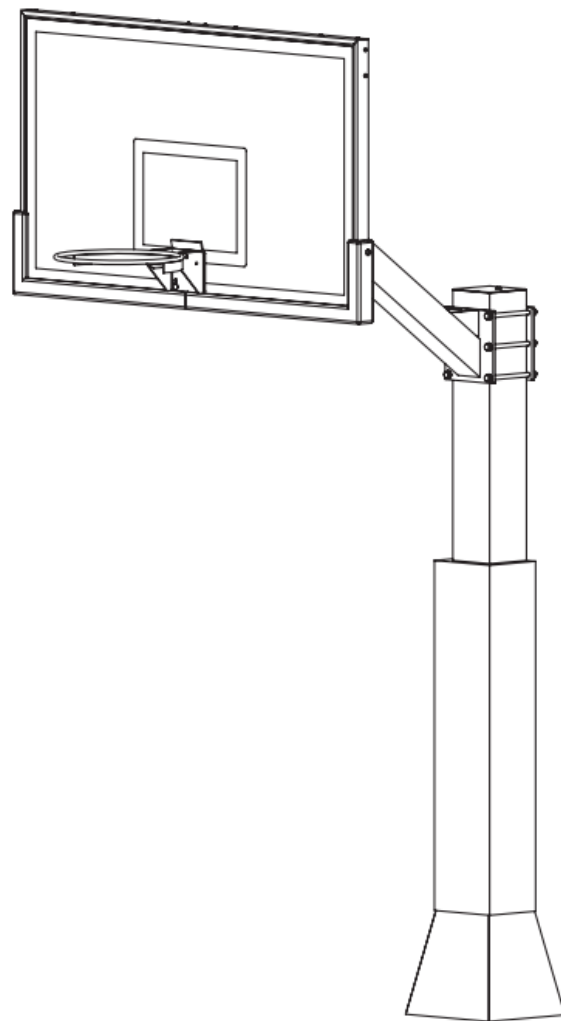
Model 885



WARNING



Failure to comply with any of the instructions may result in serious personal injury.
Failure to comply may also result in property damage.
Please heed all warnings and cautions to ensure your safety.
Do not attempt to assemble this system without carefully reading and following all instructions.
Begin by identifying and taking inventory of all parts using the parts list provided.



Airtime Hoops Ltd

14 Esther Place, Red Beach,
Auckland 0932, New Zealand
m 027 280 8689
e michael@airtimehoops.co.nz
w www.airtimehoops.co.nz

Keep this instruction manual in case you have to contact the manufacturer for replacement parts.

**TOOLS AND MATERIALS REQUIRED FOR ASSEMBLY
(Not Included)**

- | | |
|--------------------------|---|
| 1. 2 Adjustable Wrenches | 10. Concrete-1/2 yard or 14-16
Bags, (80 lb. bags) |
| 2. Socket Set | 11. Phillips Head Screwdriver |
| 3. 9/16" Wrench | 12. A minimum of 2 Ladders |
| 4. 3/4" Wrench | 13. Carpenter's Level |
| 5. 15/16" Wrench | 14. Water Supply |
| 6. 1/2" Wrench | |
| 7. Hammer or Mallet | |
| 8. Tape Measure | |
| 9. Shovel | |

****A MINIMUM OF SIX ADULTS IS
REQUIRED TO LIFT UNIT INTO PLACE****



BEFORE YOU START



- A. Identify and inventory all parts using the checklist boxes in the parts list. Be sure to keep the hardware bags and their contents separate. If any parts are missing call our Customer Service Department.
- B. Test fit all Bolts by inserting them into the respective hole. If necessary, carefully scrape away any excess powder coating buildup from inside the holes. Do not scrape away all of the powder coating. Bare metal may rust.



SAFETY INSTRUCTIONS

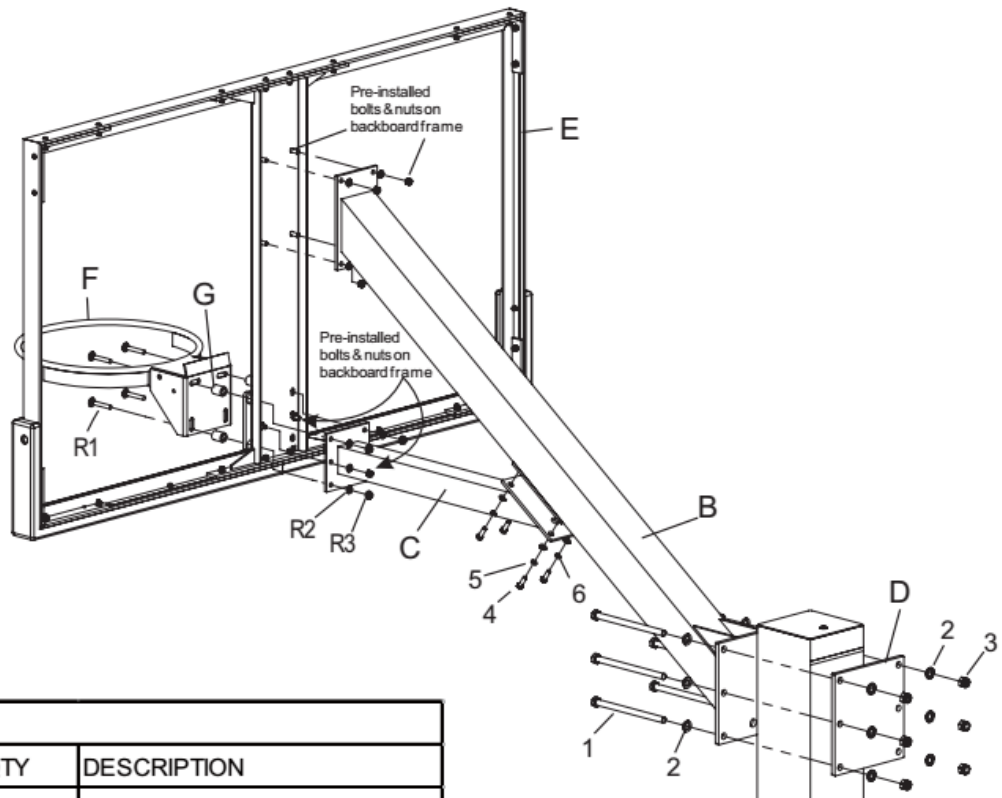


FAILURE TO FOLLOW THESE SAFETY INSTRUCTIONS MAY RESULT IN SERIOUS INJURY OR PROPERTY DAMAGE AND WILL VOID THE WARRANTY. The owner must ensure that all players know and follow these rules to safely operate the system. Proper and complete assembly, use and supervision is essential for proper operation and to reduce the risk of accident or injury. A high probability of serious injury exists if this system is not installed, maintained, or operated properly.

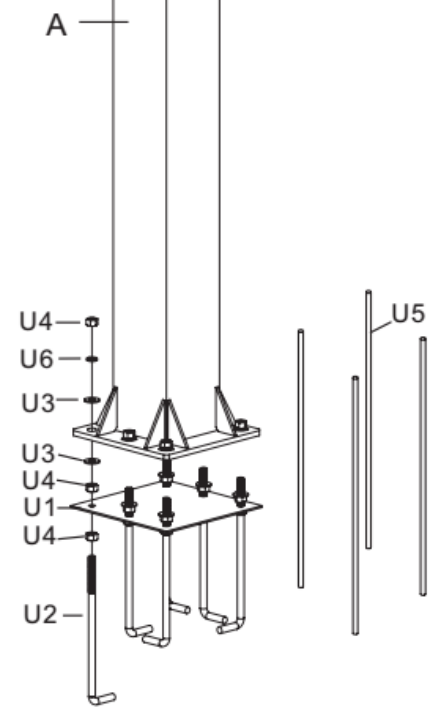
- If using a ladder during assembly, use extreme caution. Follow all warnings and cautions on the ladder carefully.
- 6 people are required to lift the unit into place.
- Before digging, contact the appropriate agency to locate underground power cables, gas, and water lines. Do not install the system within 20 feet of overhead power lines.
- Climate, corrosion, or misuse could result in system failure.
- If technical assistance is required, contact the manufacturer.
- Minimum operational height is 7'6" to the Rim. Most injuries are caused by misuse and/or failure to follow instructions.

Use caution when using the system.

Verify all parts listed on packing list are present prior to installation. Contact our Customer Service at 620-662-2233 for assistance with replacement of any parts missing or damaged.



PARTS LIST		
ITEM	QTY	DESCRIPTION
A	1	8"x8" Main Post
B	1	Main Extension Arm
C	1	Small Extension Arm
D	1	Extension Arm Plate
E	1	Backboard with frame
F	1	Rim
G	1	Rim spacer (plastic & steel)
UNDERGROUND PARTS		
U1	1	Anchor Template
U2	6	18mm Anchor J-bolts
U3	12	Thick washer for J-bolts
U4	18	Hex nut M18
U5	4	Anchor Rebar 36"L
U6	6	Lock Washer M18
RIM HARDWARE		
R1	4	Carriage bolt M10x70
R2	4	Flat Washer M10
R3	4	Flange nut M10
HARDWARE LIST		
ITEM	QTY	DESCRIPTION
1	6	Hex bolt M16x250mm
2	12	Flat Washer M16s
3	6	Lock nut M16
4	4	Hex Bolt M10x30mm
5	4	Lock washer M10
6	4	Flat washer M10



NOTE: Before digging, call to locate any buried utility lines.

NOTE: At rim height 10', distance from the face of backboard to the front of Main Post(A) is 60", Choose the proper location to dig for the concrete footing:

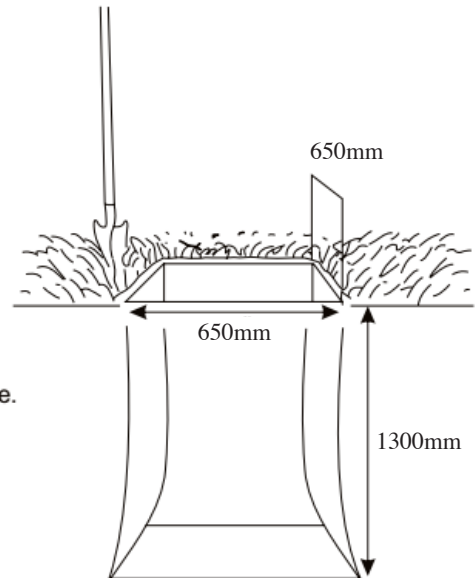
- a. Dig a hole 1.3m deep and 600 x 600mm square. The edge of the hole should be flush with the edge of the playing surface. If you live in an area where heavy frost can occur, it may pose a problem, consult your local building inspector to determine the appropriate hole depth.

NOTE: The hole must be at least 1.3m deep.

- b. Build a form before pouring the concrete pad, to ensure that the top of the concrete remains straight and square. The form should be placed about 1/2" above the playing surface to allow for water drainage.
- c. Bell out the bottom of the hole.

NOTE: A square hole prevents the rotation of the concrete.

NOTE: The area behind the playing surface must be cleared off by at least 900mm to enable the user to stand behind the pole to adjust the Rim height.

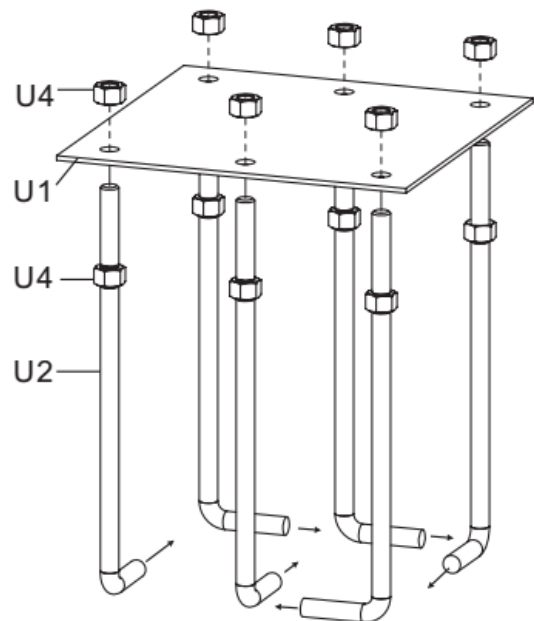
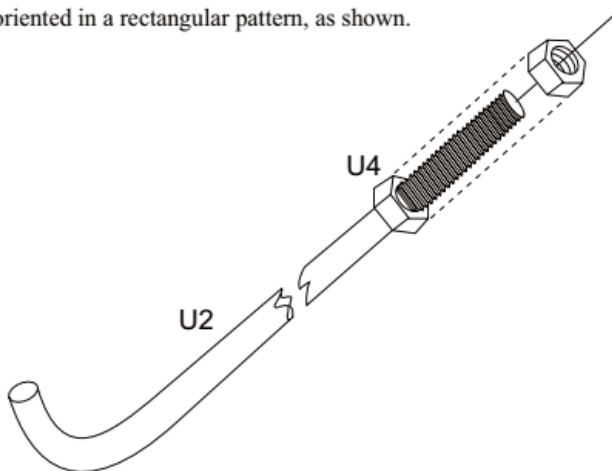


STEP B

- A. Thread a 18mm Hex Nut (U4) onto each of the 18mm J-Bolts (U2). Securely tighten the Nuts all the way down to the end of the threads.

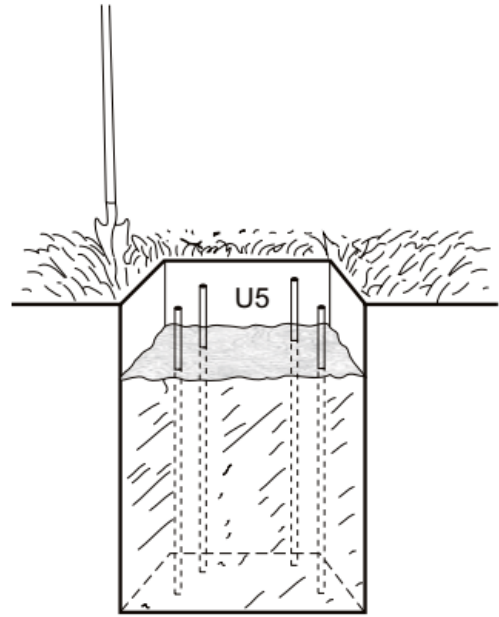
- B. Slide the threaded end of the J-Bolts through the holes in the Anchor Template (U1) and secure each J-Bolt with a 18mm J-Bolt Hex Nuts (U4) as shown. Securely tighten all Nuts at this time.

NOTE: Make sure the curved "J" ends of the J-Bolts are oriented in a rectangular pattern, as shown.



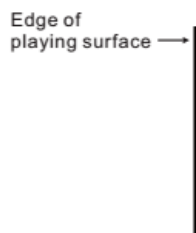
STEP C

- a. Preferably use ready mix concrete from a truck to ensure constant concrete strength. If choosing to use bagged concrete, carefully follow the manufacturers instructions. Pour the concrete into the hole, stopping approximately 18 inches from the top of the hole.
- b. Insert the four pieces of Anchor Rebar (U5) into the hole, pushing each piece firmly to the bottom of the hole. The four pieces should be arranged in a square approximately 8 inches wide so that each piece of rebar will be positioned next to the J-Bolts when the J-Bolt Template is placed in the cement.
- c. Finish filling the hole to the top with concrete. The top of the concrete should reach just above the level of the top of the form.



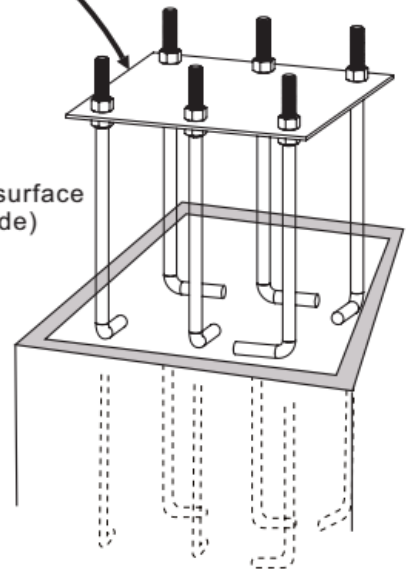
STEP D

- a. Position the J-Bolt Template (U1) over the hole as shown. with the sides of the plate square with the sides of the hole.
- b. Push the J-Bolts (U2) into the concrete until the J-Bolt Template is resting flat against the surface of the concrete.
- c. Grasp the tops of the J-Bolts and agitate the Template assembly back and forth repeatedly to eliminate any air bubbles in the concrete. Lift the Template slightly above the concrete when agitating. Make sure the Template is resting on the concrete after agitating. Form the concrete into a downward slope away from the Pole to allow water runoff.
- d. Clean off any concrete that may be on the J-Bolt Template or the exposed portions of the J-Bolts.
- e. Using a carpenter's level, make sure the Template is square to and level with the playing surface.
- f. Allow the concrete to cure for 7 days before installing the rest of your basketball system. In cold, wet weather or humid climates, allow additional time for the concrete to cure



This side faces playing ground

Playing surface (Front side)



YOU ARE NOW FINISHED WITH THE INITIAL ASSEMBLY STEPS. DO NOT PROCEED WITH THE ASSEMBLY UNTIL THE CONCRETE HAS FULLY CURED. THE CONCRETE REACHES FULL STRENGTH AT 28 DAYS. WE RECOMMEND ALLOWING AT LEAST 7 DAYS BEFORE COMMENCING WITH THE FINAL ASSEMBLY STEPS.



WARNING



NEVER USE THE SYSTEM WITHOUT FOLLOWING THE CEMENTING INSTRUCTIONS. FAILURE TO FOLLOW ALL OF THESE INSTRUCTIONS AND WARNINGS COULD LEAD TO SERIOUS PERSONAL INJURY OR PROPERTY DAMAGE AS LISTED ON PAGE ONE.



WARNING



BECAUSE OF THE SIZE AND WEIGHT OF THE SYSTEM, A MINIMUM OF THREE ADULTS ARE REQUIRED FOR THE FOLLOWING STEPS

STEP1

- A. Slide a 18mm Thick Washer (U3) over each of the J-Bolts(U2) as shown in FIGURE 1A.
- B. Remove the Padding from Main Post (A). Place the Main Post (A) over the J-Bolts. Slide a 18mm Thick Washer(U3), a Lock washer M18 (U6) and thread a 18mm Hex Nut (U4) to each J-bolt. Tighten the Nuts only a few turns onto the J-Bolts as shown in FIGURE 1B.
- C. If the Main Post (A) is not exactly vertical, adjust the 18mm J-Bolt Hex Nuts(U4) located under the Post base. Tighten all of the Hex Nuts(U4) Above Post base when Main Post(A) is vertical.

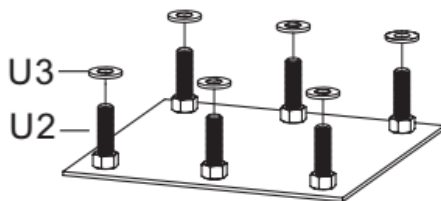


FIGURE 1A

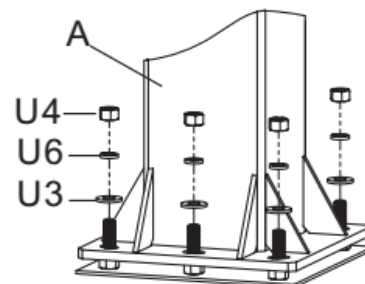
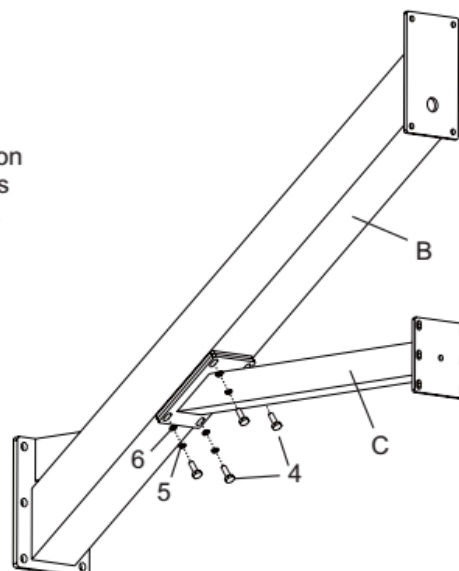


FIGURE 1B

STEP2

- A. Tight the Small Extension Arm (C) to Main Extension Arm by using 4pcs M10 x 30mm Hex Bolts (#4), 4pcs Flat Washer M10 (#6), 4pcs Lock Washer M10 (#5) .

Do not fully tighten at this time.



STEP 3

- A. Position the Main Extension Arm (B) to the Line on Main post (A) as shown in Figure 3A.
- B. Connect Main Extension Arm (B) to Main Post (A) with one Extension Arm Plate (D), using 6 Hex Bolts M16x250mm (1), 12 Flat Washer M16 (#2), 6 Lock nuts (#3). See Figure 3B.

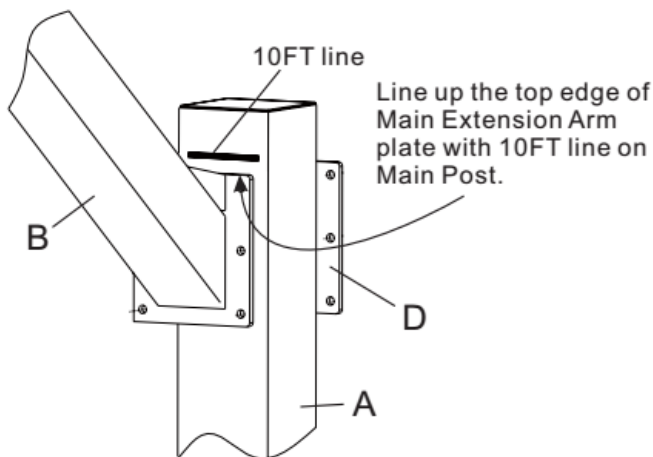


FIGURE 3A

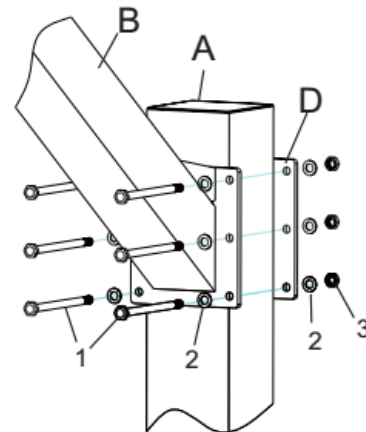
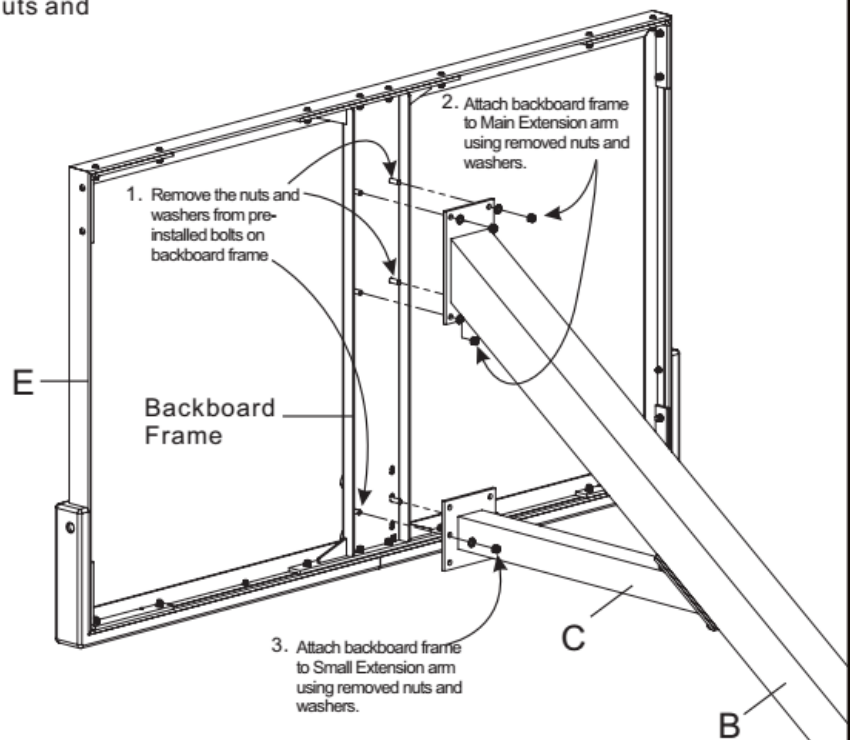


FIGURE 3B

STEP 4

- A. Remove the nuts and washers from pre-installed bolts on backboard frame.

Connect Backboard frame to Extension Arm Assembly (B&C) using removed nuts and washers.



STEP 5

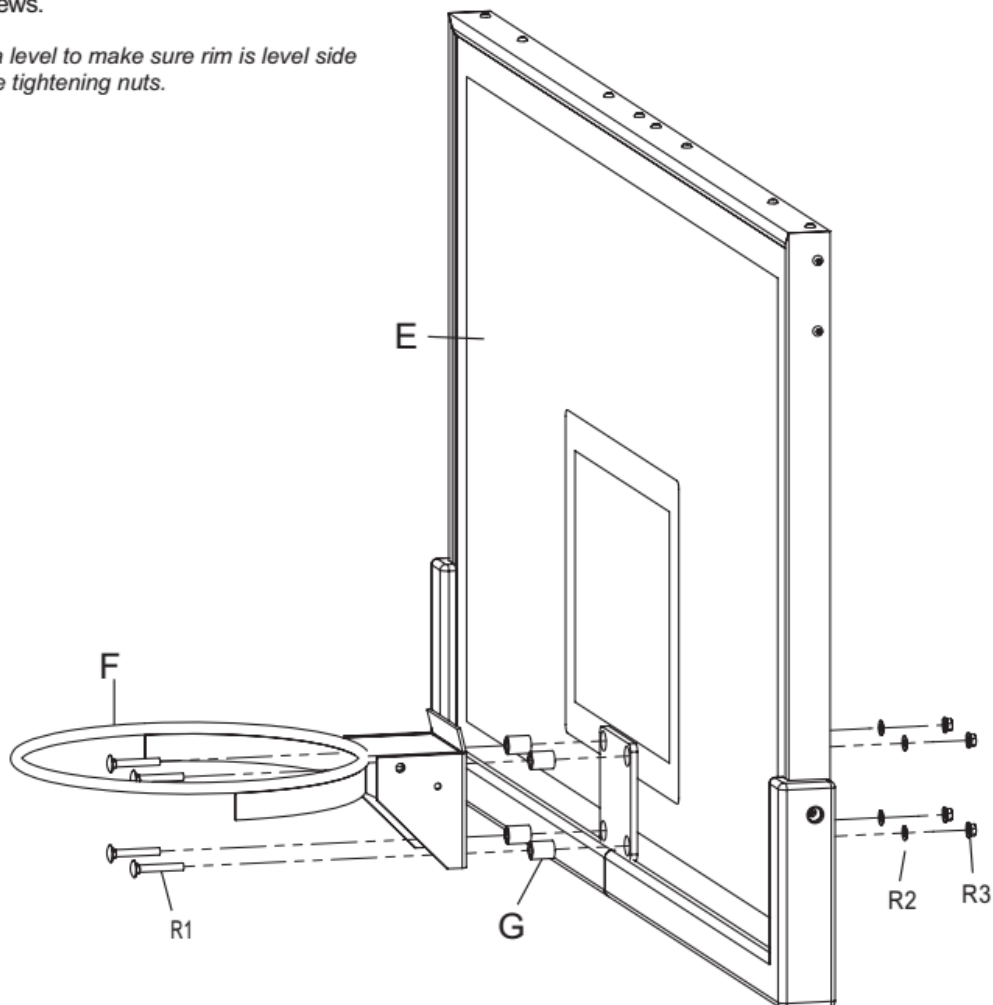
A. Insert 4pcs Spacers (Plastic & steel) (G) to the 4 holes in Backboard Glass.

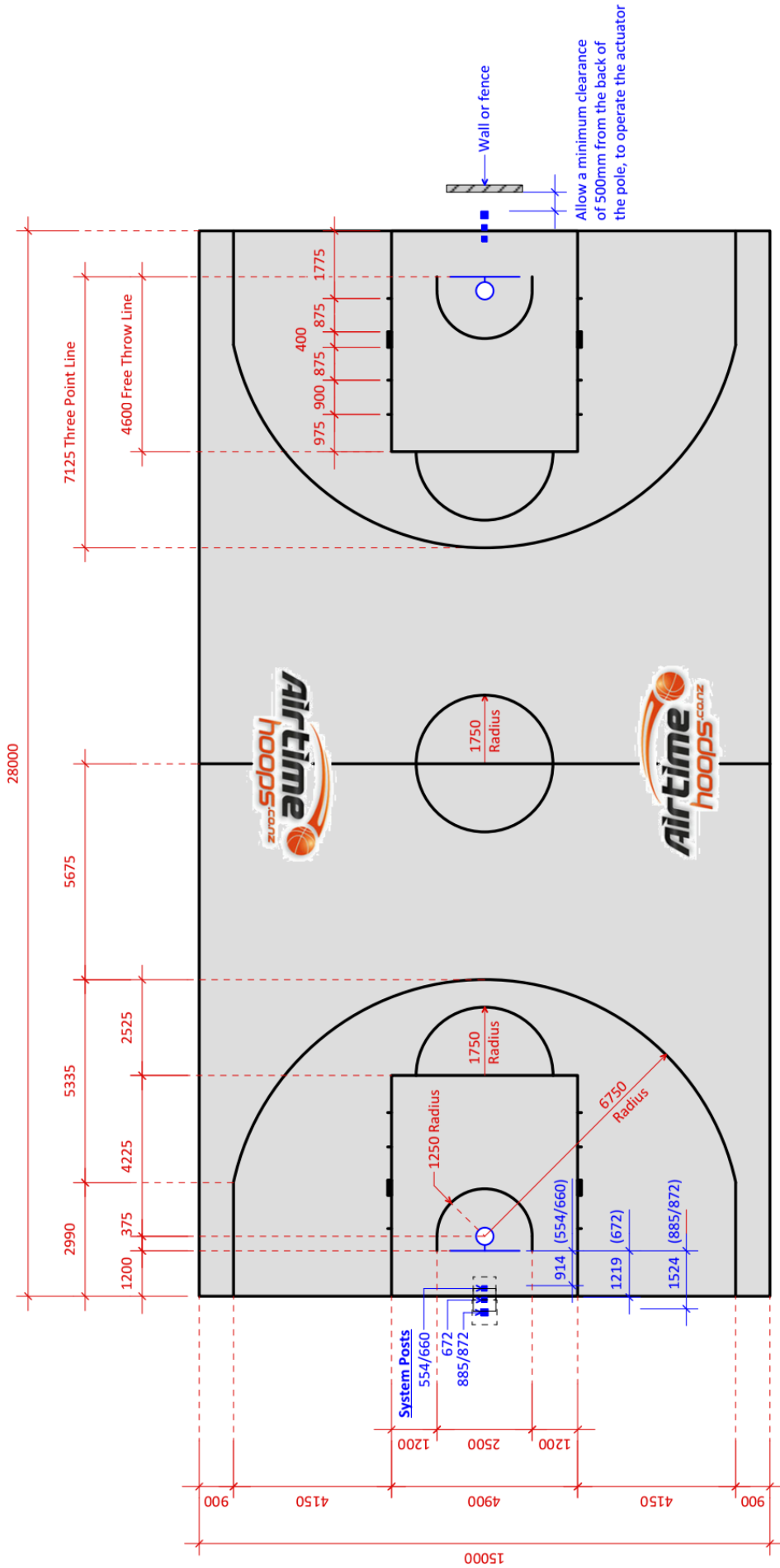
B. Remove the screws on Rim spring box cover, open the Spring box.
(Rim Spring Box cover may not be factory-assembled.)

Slide 4 Carriage bolts M10x70mm (R1-rim hardware kit) thru Rim plate, Spacers and Backboard, secure with 4 Flat washers M10 (R2-Rim hardware kit) and 4 Flange nuts M10 (R3-Rim hardware kit) from the backside of Backboard.

C. Re-attach Spring box cover to the Rim with removed screws.

NOTE: Use a level to make sure rim is level side to side before tightening nuts.





Regulation FIBA Basketball Court

System Overhangs - Front face of the pole, to the front face of the Backboard

- Airtime 554 - 3' or 914mm
- Airtime 660 - 3' or 914mm
- Airtime 672 - 4' or 1219mm
- Airtime 885/872 - 5' or 1524mm

Scale 1:150 @ A4

Warranty

This warranty applies to the original retail purchaser only.

The warranty covers these products to be 'free from defects in material & workmanship which impair the use of the product', from the date of purchase, for a period of;

5yrs – Pole, extension arms, lift assist cartridge, actuator, backboard.

3yrs – Pole padding, Rim.

Subject to proper installation in accordance with the installation instructions, normal residential use for glass backboards, normal basketball activities, and has been maintained in agreement with the instructions.

Warranty Claims:

- Proof of purchase by the original retail purchaser is required for all warranty claims.
- Airtime Hoops Limited reserves the right to examine physical evidence or photographs of the product or component parts, claimed to be defective, and to recover said product, prior to authorizing a warranty claim.
- If deemed necessary for replacement or repair, the damaged product must be returned, it is the original retail purchaser's responsibility to prepay all freight, insurance and delivery costs, insure the product or components are shipped in the original cartons or similar packaging affording an equal degree of protection. Airtime Hoops Limited will not be responsible for any loss or damage incurred in connection with the return of this product or component parts.

This warranty is not transferable and does not cover the following;

- Deterioration, scratching or scuffing of the products which may occur during normal usage.
- Damage caused by shipping.
- Damage due to "Acts of God" such as, but not limited to, flooding, tornados, hail, lightening, windstorms or earthquakes.
- Damage due to "Environmental Factors" such as, but not limited to, ocean spray, chemicals or wind borne sand.
- Improper handling, unreasonable use, negligence, misuse, abuse or modification from its original state, accident, vandalism, or fire.
- Installation (If not installed by Airtime Hoops Limited).
- Paint, rusting, surface scratches, fading or cracks which do not affect the functionality of the product.
- Shipping charges for warranted or replacement items. This must be paid by the original retail purchaser in advance.
- Dealer service charges, labour charges, or travel expenses. All labour costs, travel expenses, and other charges involved in the installation, inspection, service, or replacement of the product, or replacement of component parts shall be the original retail purchaser's responsibility.

For the original retail purchaser to submit a claim, write to;

Airtime Hoops Limited
14 Esther Place, Red Beach, Auckland 0932
michael@airtimehoops.conz