

60" WALL-MOUNT



WARNING



Failure to comply with any of the instructions may result in serious personal injury.

Failure to comply may also result in property damage.

Please heed all warnings and cautions to ensure your safety.

Do not attempt to assemble this system without carefully reading and following all instructions.

Begin by identifying and taking inventory of all parts using the parts list provided.

Airtime Hoops Ltd

14 Esther Place, Red Beach,
Auckland 0932, New Zealand
p 09 426 2255 | m 027 280 8689
e michael@airtimehoops.co.nz
w www.airtimehoops.co.nz

Frame Attachment

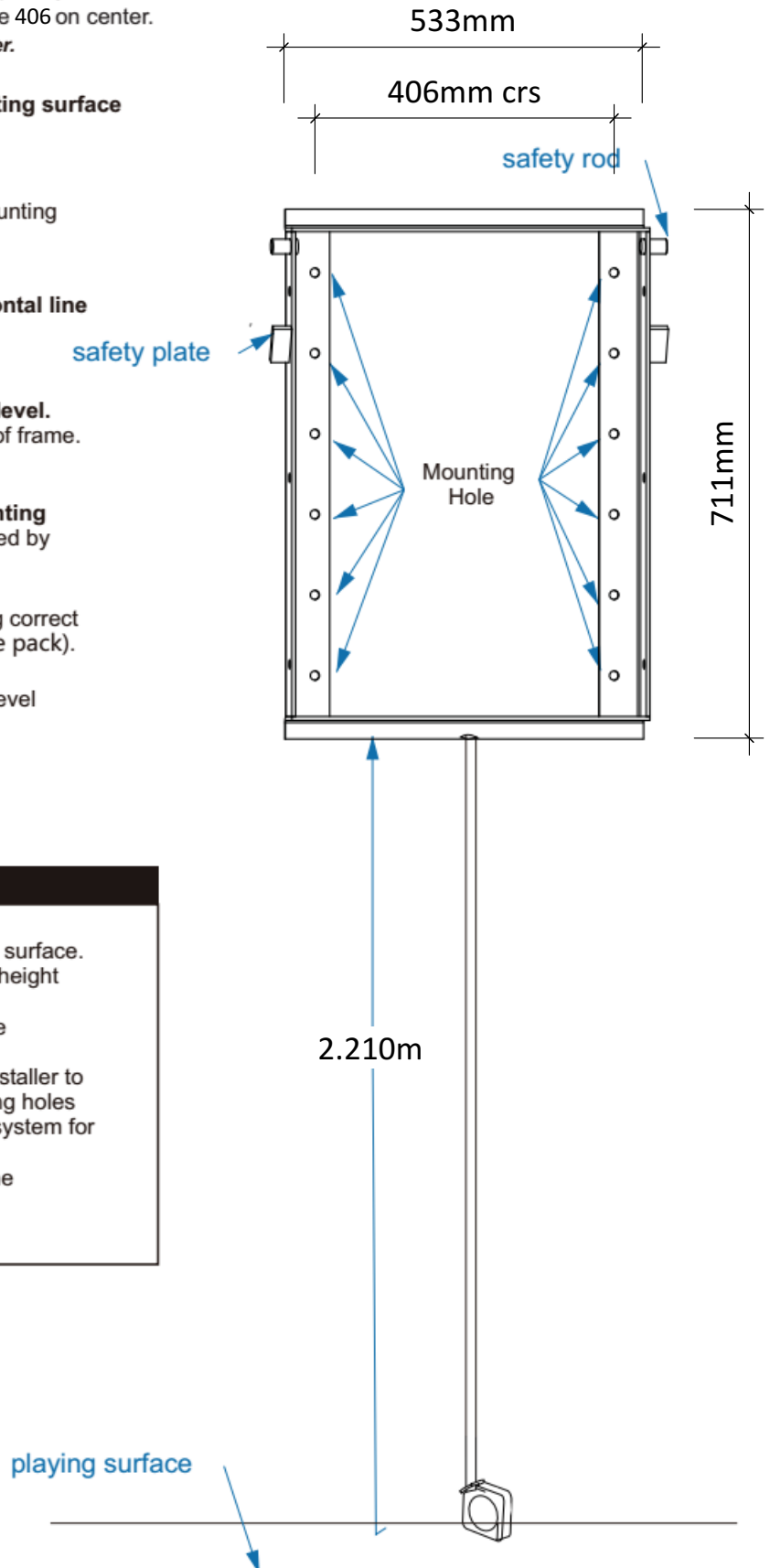
A measure, level, drills and wrenches may be needed during assembly.

- Determine where to place frame on mounting surface.**
The frame is 711 x 533 (HXW). The frame holes are 406 on center.
Use a level to make drawing the horizontal line easier.
- Draw a horizontal line at least 533 on the mounting surface** that is 2.21m up from the playing surface.
- Unpack the frame.** Lay aside extension arms, mounting brackets.
- Position and center frame bottom on the horizontal line** with the frame's safety rod at the top.
- Level frame horizontally and vertically using a level.**
Mark the mounting holes needed for attachment of frame.
- Drill appropriate size holes as needed in mounting surface** based upon type of wall fastener being used by customer or installer.
- Loosely attach frame to mounting surface** using correct fasteners (8pcs-4" wood screws included in the pack).
- Level frame horizontally and vertically using a level** and appropriately tighten fasteners.

NOTE: COMPLETE SYSTEM WEIGHS 121KG

IMPORTANT

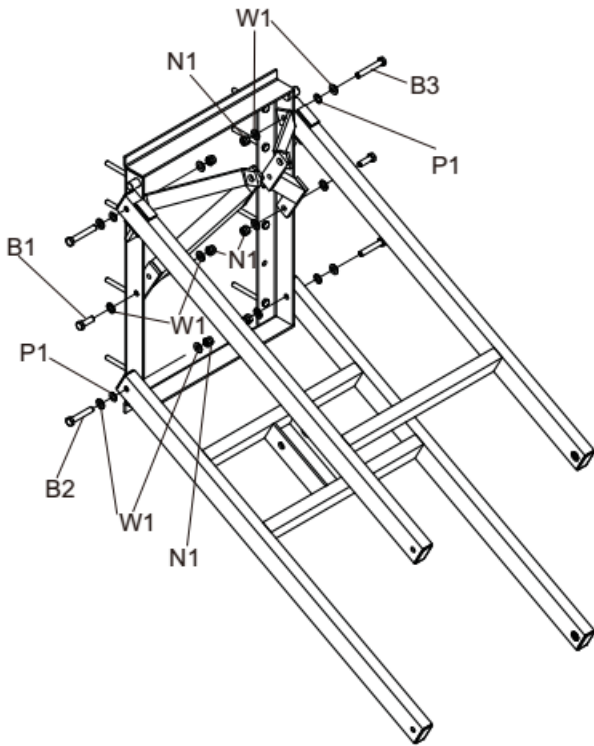
- Bottom of frame should be 2.21m up from playing surface. This is needed to achieve full range of system height adjustability.
- Wall hanging location is the responsibility of the customer and/or installer.
- It is the responsibility of the customer and/or installer to determine how many of the frame's 12 mounting holes must be used to safely secure the wall mount system for play.
- Fasteners to be determined and provided by the customer and/or installer.



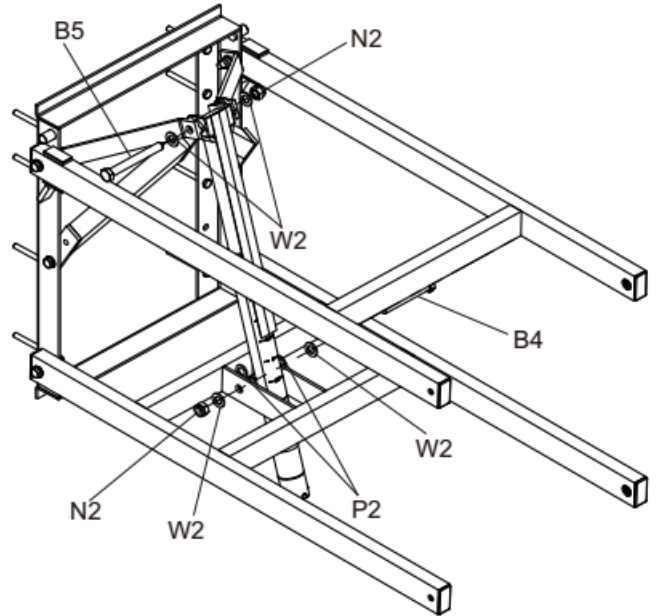
Frame Assembly

Note: Lower mounting brackets are shorter than the upper ones.

1. **Unpack extension arms and mounting brackets.**
2. **Align lower extension arm holes to outside holes of the frame flange.**
Connect using the hardware two B2, four W1, two P1 and two N1. Another two plastic washer P1 will be between the extension arm and the frame.
Note: DO NOT over-tight. Snug tighten only.
3. **Attach the upper extension arms and upper mounting brackets to the frame flange using the hardware two B3, four W1, two P1 and two N1.**
Another two plastic washer P1 will be between the extension arm and the frame. They are factory attached.
4. **Attach the lower mounting bracket to the frame using two B1, four W1 and two N1.**



Item		Quantity
B1	Hex bolt M12*35mm	2
B2	Hex bolt M12*65mm	2
B3	Hex bolt M12*75mm	2
N1	Hex nut M12	6
W1	Flat washer M12	12
P1	Plastic washer M12	8



5. **Attach upper mount of actuator assembly to the upper and lower mounting brackets using one B5, two W2 and one N2.**
6. **Attach lower mount of actuator assembly to the lower extension arm using one B4, two W2, two P2 and one N2.**
7. **Tighten all extension arm bolts to extension arms and mounting brackets.** Tighten B2, but make sure free movement is maintained at the pivot point.

Note: The plastic washers P2 will be between the actuator and mounting brackets.

DO NOT over-tighten. Snug tighten only.

Item	Description	Quantity
B4	Hex bolt M16*115mm	1
B5	Hex bolt M16*135mm	1
N2	Hex nut M16	2
W2	Flat washer M16	4
P2	Plastic washer M16	2

Backboard Assembly

Note: Extension arms must be in the lowered position.

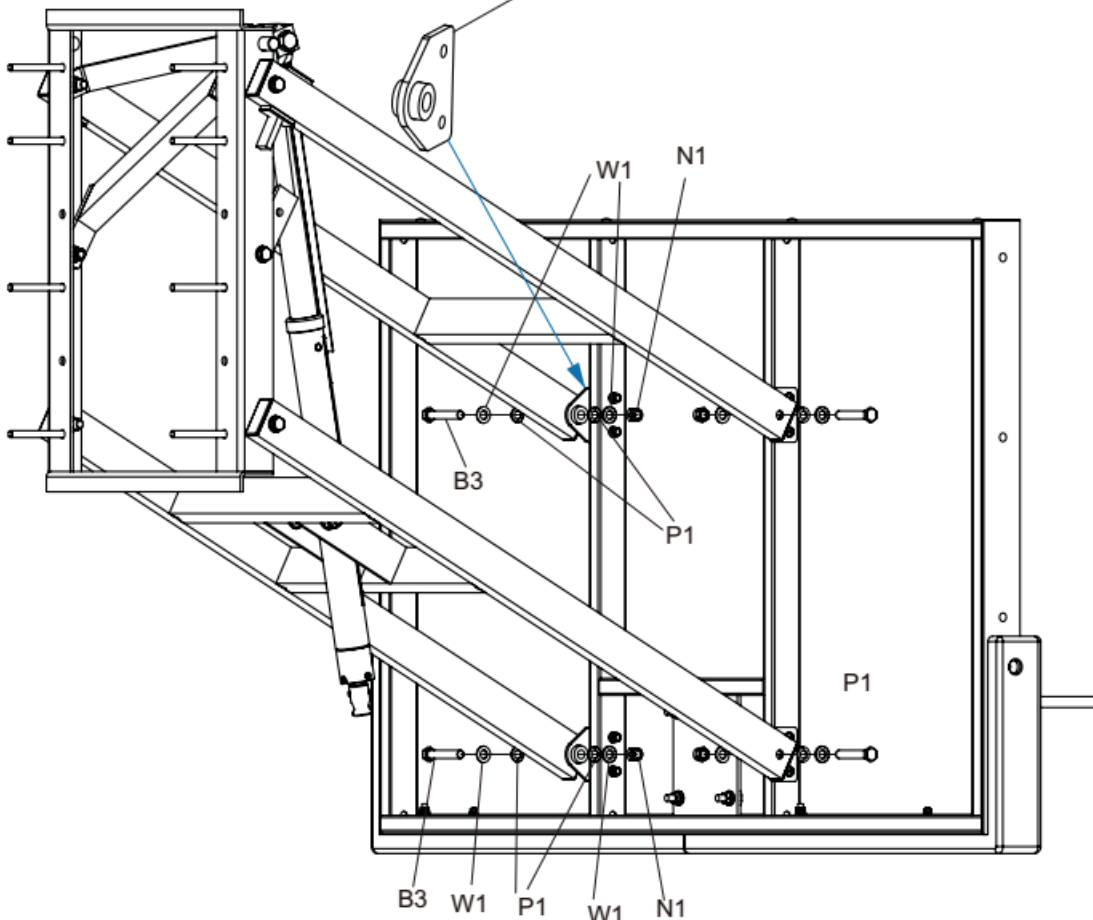
1. Open lid of box containing the backboard and slide the backboard face down, with rim mounting plate facing towards the system mounting surface.
2. Carefully lift the backboard from the box and align upper backboard holes with upper extension arm holes using two B3, four W1 and two N1.
3. Align lower backboard holes with the lower extension arm holes using the same procedure and hardware as in 2.

Item	Description	Quantity
B3	Hex bolt M12*75mm	4
N1	Hex nut M12	4
W1	Flat washer M12	8
P1	Plastic washer M12	12

Note:

- Extension arms attach to the outside of backboard's H-frame.
- Plastic washer will be between backboard and extension arm.
- DO NOT over-tighten. Snug tighten, so that bushings in arms meet bushings in backboard.

Before attaching the backboard to extension arm, the four ear plates need to be assembled first. Each ear need to use two Hex screw M8*45mm, four M8 Flat washer and two M8 Nut. Between the extension arm and every ear plate, there is one P1.



Final Attachment

1. Attach rim to Backboard.

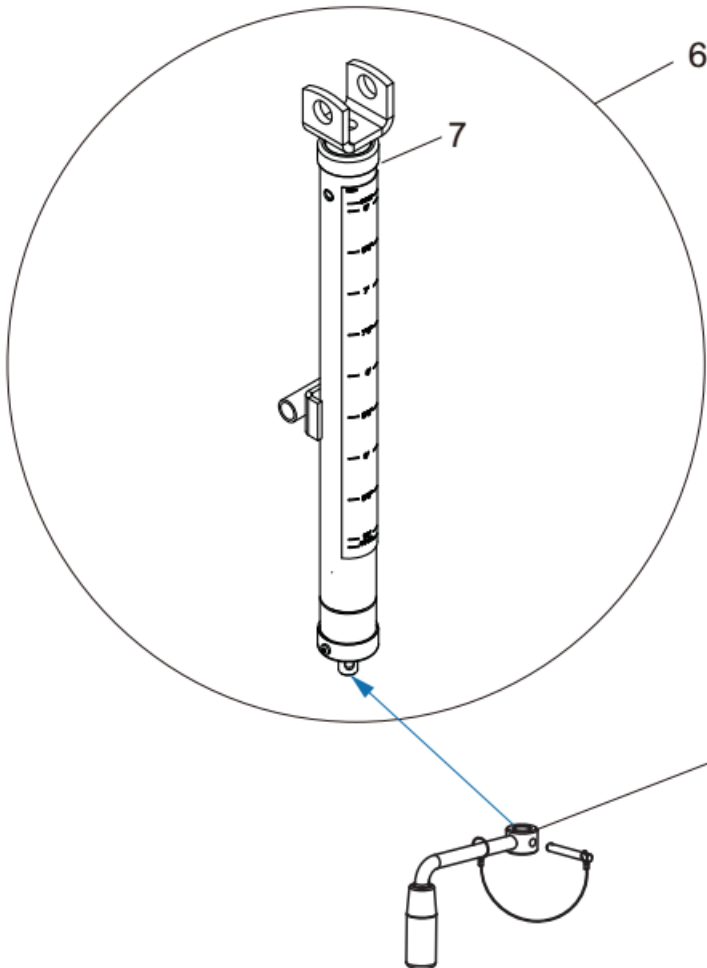
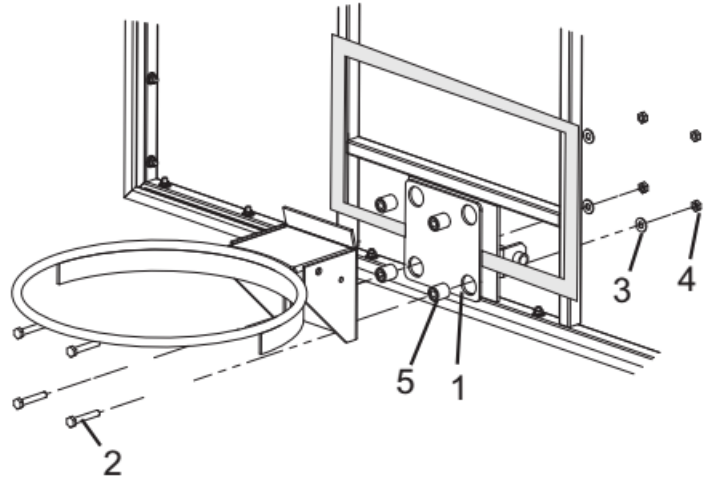
Attach Rim Pad (#1) to Glass as shown in right photo. Remove the Rim box cover, put Rim against Rim pad, secure it with 4 Carriage bolts M10x55 (#2), 4 Flat washers M10 (#3), 4 Flange nuts M10 (#4) and 4 mounting sleeves (#5).

See **Figure 9**.

Tighten all four bolts and nuts completely.

Put Rim box cover back and secure it with removed screws.

Note: Tighten all four bolts and nuts completely. Put Rim box cover back and secure it with removed screws.



Apply Rim Height Sticker

Use a tape measure to crank rim up to exactly 10' from playing surface. Make a line mark on the Actuator (#6) against upper edge of Actuator Sleeve (#7). Crank the rim all the way down to the extreme end. Peel and apply Rim Height sticker to outside of Actuator (#6) lining up the mark with the 10' mark on the Rim Height Sticker. **See Detail on left hand.**

Attach crank to the bottom of the actuator, secure it with attached pin.

Warranty

This warranty applies to the original retail purchaser only.

The warranty covers these products to be 'free from defects in material & workmanship which impair the use of the product', from the date of purchase, for a period of;

3 yrs on all items, excludes the net.

Subject to proper installation in accordance with the installation instructions, normal residential use for glass backboards, normal basketball activities, and has been maintained in agreement with the instructions.

Warranty Claims:

- Proof of purchase by the original retail purchaser is required for all warranty claims.
- Airtime Hoops Limited reserves the right to examine physical evidence or photographs of the product or component parts, claimed to be defective, and to recover said product, prior to authorizing a warranty claim.
- If deemed necessary for replacement or repair, the damaged product must be returned, it is the original retail purchaser's responsibility to prepay all freight, insurance and delivery costs, insure the product or components are shipped in the original cartons or similar packaging affording an equal degree of protection. Airtime Hoops Limited will not be responsible for any loss or damage incurred in connection with the return of this product or component parts.

This warranty is not transferable and does not cover the following;

- Deterioration, scratching or scuffing of the products which may occur during normal usage.
- Damage caused by shipping.
- Damage due to "Acts of God" such as, but not limited to, flooding, tornados, hail, lightening, windstorms or earthquakes.
- Damage due to "Environmental Factors" such as, but not limited to, ocean spray, chemicals or wind borne sand.
- Improper handling, unreasonable use, negligence, misuse, abuse or modification from its original state, accident, vandalism, or fire.
- Installation (If not installed by Airtime Hoops Limited).
- Paint, rusting, surface scratches, fading or cracks which do not affect the functionality of the product.
- Shipping charges for warranted or replacement items. This must be paid by the original retail purchaser in advance.
- Dealer service charges, labour charges, or travel expenses. All labour costs, travel expenses, and other charges involved in the installation, inspection, service, or replacement of the product, or replacement of component parts shall be the original retail purchaser's responsibility.

For the original retail purchaser to submit a claim, write to;

Airtime Hoops Limited
14 Esther Place, Red Beach, Auckland 0932
michael@airtimehoops.conz